

LE1-D Magnetic Starter



General

LE1-D Magnetic starter is suitable for using in the circuits rated voltage up to 690V AC50Hz or 60Hz. With AC-3 type, LE1-D is used for starting or halting of three-phase squirrel case electromotor which rated working voltage is 380V and rated working current is from 9A to 95A. Combining with matchable thermal relay can protect the motor from overload and phase failure.

Operation and installation condition

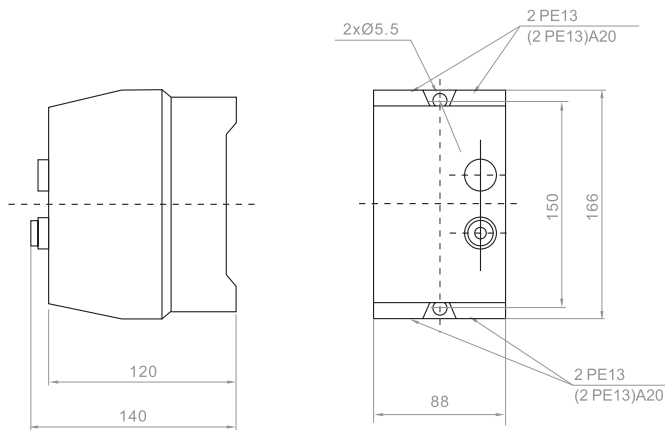
- Ambient air temperature: -5°C~+40°C, average temperature of 24 hours must below +35°C
- Altitude: 2000m
- Relative humidity: The maximum temperature of 40 degrees, the air relative humidity not exceed 50%, at a lower temperature can allow for a higher relative humidity. The humidest month's average lowest temperature must be below 25°C, the max relative humidity of that month should not exceed 90%. If humidity changes as a result of occasional gel generated, should eliminate it.
- Pollution level: 3
- Installation category: III
- Installation position: The installation degree of the tilt and vertical plane should not exceed ±5°.
- Shock vibration: Products should be installed and used without significant shake, shock and vibration place.

Specifications

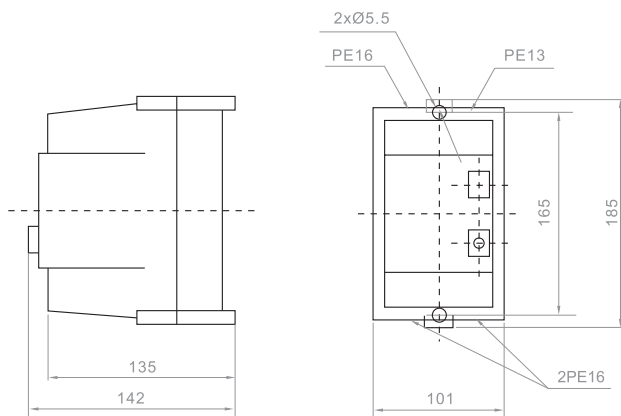
Item No.	Maximum power AC3 duty (kW)			Rated current (A)	Matched thermal relay(A)
	220V 230V	380V 400V	660V 690V		
LE1-D09	2.2	4	5.5	9	LR2 D13
LE1-D12	3	5.5	7.5	12	LR2 D13
LE1-D18	4	7.5	10	18	LR2 D13
LE1-D25	5.5	11	15	25	LR2 D13
LE1-D32	7.5	15	18.5	32	LR2 D23
LE1-D40	11	18.5	30	40	LR2 D33
LE1-D50	15	22	33	50	LR2 D33
LE1-D65	18.5	30	37	65	LR2 D33
LE1-D80	22	37	45	80	LR2 D33
LE1-D95	25	45	45	95	LR2 D33

LE1-D Magnetic Starter

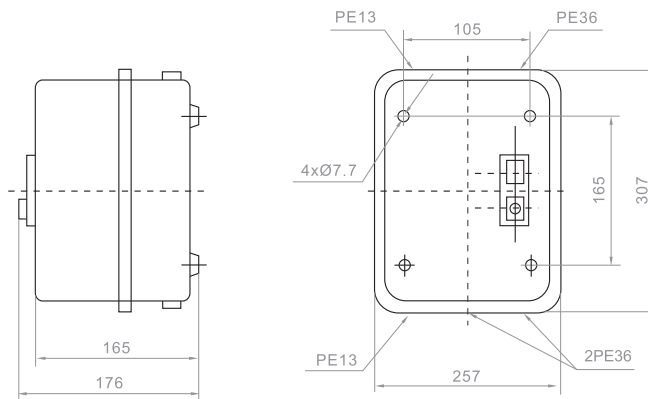
Overall and mounting dimensions(mm)



LE1-D09,D12,D18



LE1-D25, D32



LE1-D40,D50,D65,D80,D95