

LC1-F AC Contactor



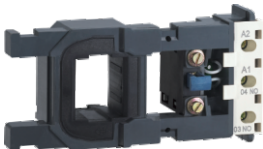
General

LC1-F series AC Contactor is applicable in the circuit rated voltage up to 1000V AC 50/60Hz, rated current up to 630A, for long distance breaking circuit and frequently starting or controlling the motor. It also can be used for the control of distributing circuits of rated current from 200A to 800A (AC-1)/115A to 630A(AC-3). The products comply with IEC 60947-4-1.



Specifications

Type			F115	F150	F185	F225	F265	F330	F400	F500	F630
Poles			3P,4P								
Rated insulation voltage (U _i)	V		1000								
Rated thermal current (I _{th})	AC1	A	200	250	275	315	350	400	500	630	800
Rated operation current (I _e)	AC-3, 380V	A	115	150	185	225	265	330	400	500	630
	AC-3, 660V	A	86	108	118	137	170	235	303	353	462
	AC-3, 1000V	A	46	50	71	90	112	155	200	232	311
	AC-4, 660V	A	86	108	118	137	170	235	303	353	462
Max. power of 3 phase motor controlled	AC-3, 380V	kW	55	75	90	110	132	160	200	250	335
	AC-3, 660V	kW	80	100	110	129	160	220	280	335	450
Electrical life	AC-3	10000 t	120		100		80				
Mechanical life		10000 t	1000		600						
Operation frequency	AC-3	t/h	1200		600						
Matching thermal relay type			LR9-F53							LR9-F73	
Wiring capacity	mm		50	50	95	95	150	185	30x5(2)	40x5(2)	50x5(2)
Allowed control circuit voltage	Close	V	85%~110%Us								
	Open	V	20%~75%Us(AC)								
Auxiliary contact			3P:3NO				4P:4NO				

LX1-F Coil

Type	Product	Matched contactor	Control power voltage(Us)	Coil type(3P)	Coil type(4P)
LX1-FF		LC1-F115, F150	24V, 48V, 110V 220V, 380V, 440V	LX1-F1153	LX1-F1154
LX1-FG		LC1-F185, F225		LX1-F1853	LX1-F1854
LX1-FH		LC1-F265, F330		LX1-F2653	LX1-F2654
LX1-FJ		LC1-F400		LX1-F4003	LX1-F4004
LX1-FK		LC1-F500		LX1-F5003	LX1-F5004
LX1-FL		LC1-F630		LX1-F6303	LX1-F6304

LR9-Thermal Relay

Type	Product	Current setting range	Rated working voltage	Rated insulating voltage	Matched contactor
LR9 Thermal relay		30-50A	1000V	1000V	F115-F185
		48-80A	1000V	1000V	F115-F185
		60-100A	1000V	1000V	F115-F185
		90-150A	1000V	1000V	F115-F185
		132-220A	1000V	1000V	F225-F265
		200-330A	1000V	1000V	F225-F500
		300-500A	1000V	1000V	F225-F500
		380-630A	1000V	1000V	F400-F630